



**STANDBY
GENERATORS**

60kW¹ STANDBY GENERATOR

BRIGGS & STRATTON® THE SMART CHOICE

Durable backup power for businesses and luxury homes. Help eliminate losses from power outages with a Briggs & Stratton® Commercial Standby Generator.



FORTRESS™

Introducing our dealer exclusive line. Available at your local Briggs & Stratton Dealer with these great features:

- The industry's most comprehensive warranty²
- Block heater keeps engine warm for easy starting in cold weather



Corrosion Resistant Aluminum Enclosure

- Durable enclosures are built to last, protecting against extreme weather conditions and corrosion

Easy to Service

- Convenient internal swing open doors allow you to easily access the engine; no more taking apart the bolted finger guards, saving you precious time and the hassle of disassembly

Quality Clean Power

- Ensures your electronics are safely powered

Durable Industrial Engine

- Found in industrial applications, the premium industrial 1,800 RPM engine provides strong, reliable power without giving up quiet operation or durability

Custom Built Options

- A complete line of standby generators for commercial applications with multiple voltage configurations and controller options

NFPA 110 Capable

- Suitable for NFPA 110 applications when installed with required NFPA 110 accessories and installation methods



GENERATOR SET RATINGS

MODEL	VOLTAGE	POWER FACTOR	PHASE	HZ	BREAKER	LIQUID PROPANE		NATURAL GAS		CONTROLLER
						LP KW ¹	LP AMPS	NG KW ¹	NG AMPS	
Fortress 076860	120/240	1	1	60	300	60	250	55	229	Briggs & Stratton
Briggs & Stratton 076360	120/240	1	1	60	300	60	250	55	229	Briggs & Stratton
Briggs & Stratton 076161	120/208	0.8	3	60	225	62	215	55	191	InteliNano
Briggs & Stratton 076163	120/240	0.8	3	60	300	62	187	55	166	InteliNano
Briggs & Stratton 076165	277/480	0.8	3	60	100	62	93	55	83	InteliNano
Briggs & Stratton 076361	120/208	0.8	3	60	225	62	215	55	191	InteliLite
Briggs & Stratton 076363	120/240	0.8	3	60	300	62	187	55	166	InteliLite
Briggs & Stratton 076365	277/480	0.8	3	60	100	62	93	55	83	InteliLite

¹ This generator is rated in accordance with UL (Underwriters Laboratories) 2200 (stationary engine generator assemblies) and CSA (Canadian Standards Association) standard C22.2 No. 100-14 (motors and generators).

² Warranty details available at www.briggsandstratton.com



ENGINE SPECIFICATIONS

ENGINE		LUBRICATION	
Engine Model	5.7L Industrial Powertrain	Oil Capacity (qts / ltrs)	4.5 / 4.3
Engine Type	8 Cylinder, 4-Cycle	Oil Capacity with Filter (qts / ltr)	5.0 / 4.7
Engine Speed (RPM)	1800	Oil Filter (quantity / type)	1 / Spin-on
Engine Fuel	Liquid Propane Vapor (LPV) or Natural Gas (NG)	Lubrication System	Full Pressure
Induction System	Naturally Aspirated	Recommended Oil	API GF-4 10W30
Air Filter Type	Dry	ALTERNATOR SPECS	
Displacement (ltr / cc)	5.7 / 5736	Type	4-Pole, Rotating Field
Freq Reg NL to FL	Isochronous	Voltage Regulator	Solid State, Volts / Hz
Block Heater	Included	Insulation (rating)	Class H
Governor Type	Electronic	Designed Temperature Rise Limit	125°C
Frequency Regulation	+ / -5%	Bearing (quantity / type)	1 / Sealed
Starter Motor Rated Voltage	12 Volt	Voltage Reg NL to FL	+ / -1.0%
Battery (volts dc / cca)	12 Volt / 775	Frequency Compensation	8V / Hz Voltage Drop Below 55 Hz
ENGINE OUTPUT DERATINGS - STANDBY		ENGINE FUEL SYSTEM SPECIFICATIONS	
Rated Temp	104°F / 40°C	Recommended Fuel	
Rated Altitude	Sea Level	LP min LHV (btu / ft ³)	2260
Max Altitude	15,000 ft	NG min LHV (btu / ft ³)	890
Temperature Derate	1% for each 10°F (5.6°C) above rated temp	Fuel Supply Pressure (in H ₂ O)	7-11 (at full load)
Altitude Derate	3% / 1000 ft	Fuel Supply Line at Engine (npt)	1"

OPERATIONS

FUEL CONSUMPTION ³					SOUND RATING AT 7 METERS PER ISO 3744
	50% Load		100% Load		68 dBA
Liquid Propane	233 ft ³ / hr	6.5 gal / hr	320 ft ³ / hr	8.9 gal / hr	Lowest measurement of 12 microphones around generator. Sound level measurement at other locations around generator may be different depending upon installation configuration.
Natural Gas	512 ft ³ / hr	512,000 btu / hr	682 ft ³ / hr	682,000 btu / hr	

¹ This generator is rated in accordance with UL (Underwriters Laboratories) 2200 (stationary engine generator assemblies) and CSA (Canadian Standards Association) standard C22.2 No. 100-14 (motors and generators).

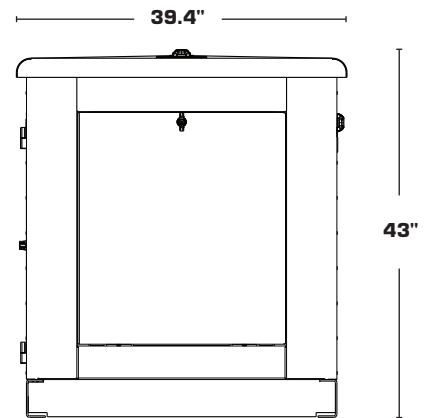
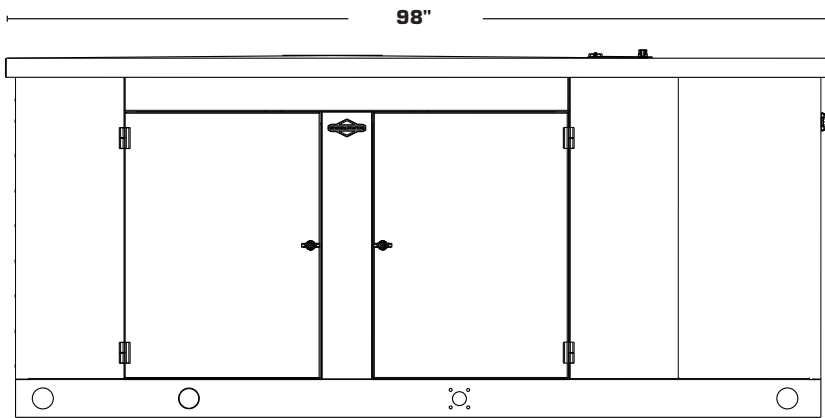
³ Fuel consumption rates are estimated based on normal operating conditions. Generator operation may be greatly affected by elevation and the cycling operation of multiple electrical appliances – fuel flow rates may vary depending on these factors.



ADDITIONAL INFORMATION

OTHER FEATURES	
Enclosure Material	Corrosion-Resistant Aluminum
WEIGHT AND DIMENSIONS	
Assembled Weight (lbs / kg)	2020 / 915
Overall Dimensions (in)	98 x 39.4 x 43
Packaged Weight (lbs)	2420 / 1100
Packaged Dimensions (in)	104 x 51 x 48
BATTERY CHARGERS FOR INTELINANO/INTELILITE	
Standard	6279
NFPA 110	6339

CERTIFICATION	
CARB Compliant	Yes
UL Listed to 2200	Yes
cUL Listed to CSA 22.2 NO 100-04	Yes
NEMA Compliant	Yes
EPA Certified Fuel System	Yes
AVAILABLE ACCESSORIES	
Battery Warmer	6343
Basic Wireless Monitor	6229
InfoHub	6260
Remote Status Monitor	6144



STANDARD CONTROLLERS



Briggs & Stratton® Standard AMF Controller for Single Phase

- User-friendly control panel for troubleshooting
- Conveniently monitors diagnostic conditions, displays system fault codes and sets weekly exercise cycle
- Easy-to-read alpha-numeric scrolling display
- Single-phase generator application only
- UL recognized



InteliNano (NT) Controller for 3-Phase

- 3-phase generator application only
- Large graphical display
- 3-phase voltage sensing
- “Zero” power consumption mode
- Easy installation and user-friendly operation
- 10 event history log
- USB communication interface
- Six binary inputs, three analog inputs
- Two low-current and two high-current binary outputs
- UL recognized

OPTIONAL CONTROLLERS



InteliLite (NT) Controller

- 3-phase and single-phase generator applications
- 3-phase voltage sensing
- Current sensing
- Seven binary inputs, three analog inputs
- Seven binary outputs
- Additional input/output accessories available
- Various communication modules available
- Remote control and monitoring capabilities
- UL recognized



InteliLite Accessories (sold separately)

- Remote Annunciator, NFPA 110 Compliant (6334)
- Remote Display (6353)
- IL-NT GPRS (6354)
- IB-LITE (6355)
- IL-NT RS232-485 (6356)
- IL-NT S-USB (6357)

¹ This generator is rated in accordance with UL (Underwriters Laboratories) 2200 (stationary engine generator assemblies) and CSA (Canadian Standards Association) standard C22.2 No. 100-14 (motors and generators).



FUEL PIPE SIZE RECOMMENDATION CHART (CAPACITY IN THOUSANDS OF BTU / HOUR)

Natural Gas / Inlet Pressure less than 2 PSI / Pressure Drop 1/2" Water Column / Specific Gravity 0.60						
	1/2" pipe capacity	3/4" pipe capacity	1" pipe capacity	1-1/4" pipe capacity	1-1/2" pipe capacity	2" pipe capacity
20' Length*	118	247	466	957	1,430	2,760
40' Length*	81	170	320	657	985	1,900
60' Length*	65	137	257	528	791	1,520
80' Length*	56	117	220	452	677	1,300
100' Length*	50	104	195	400	600	1,160

Liquid Propane / Inlet Pressure 11" Water Column / Pressure Drop 1/2" Water Column / Specific Gravity 1.50						
	1/2" pipe capacity	3/4" pipe capacity	1" pipe capacity	1-1/4" pipe capacity	1-1/2" pipe capacity	2" pipe capacity
20' Length*	200	418	788	1,617	2,423	4,666
40' Length*	137	287	541	1,111	1,665	3,207
60' Length*	110	231	435	892	1,337	2,575
80' Length*	101	212	400	821	1,230	2,370
100' Length*	101	212	400	821	1,230	2,370

*Total length of piping from outlet of regulator to appliance furthest away.



	6 LIMITED WARRANTY ² PARTS, LABOR, TRAVEL	5 LIMITED WARRANTY ² PARTS, LABOR, TRAVEL
MODEL NUMBER	Fortress 076860	Briggs & Stratton 076360
		Briggs & Stratton 076161
		Briggs & Stratton 076163
		Briggs & Stratton 076165
		Briggs & Stratton 076361
		Briggs & Stratton 076363
		Briggs & Stratton 076365

¹ This generator is rated in accordance with UL (Underwriters Laboratories) 2200 (stationary engine generator assemblies) and CSA (Canadian Standards Association) standard C22.2 No. 100-14 (motors and generators).

² Warranty details available at www.briggsandstratton.com

Disclaimer: Not for Prime Power or use where standby systems are legally required, for serious life safety or health hazards, or where lack of power hampers rescue of fire-fighting operations.

BRIGGS & STRATTON CORPORATION
POST OFFICE BOX 702
MILWAUKEE, WI 53201 USA
Copyright ©2017. All rights reserved. BS1007-K - 2/17

SUPPORT EVERY STEP OF THE WAY

NEED HELP? Just call 800-759-2744
Our technical support team is trained to answer questions on our generators, transfer switches and accessories.

CALL TODAY FOR A FREE IN-HOME ESTIMATE!
800-743-4115